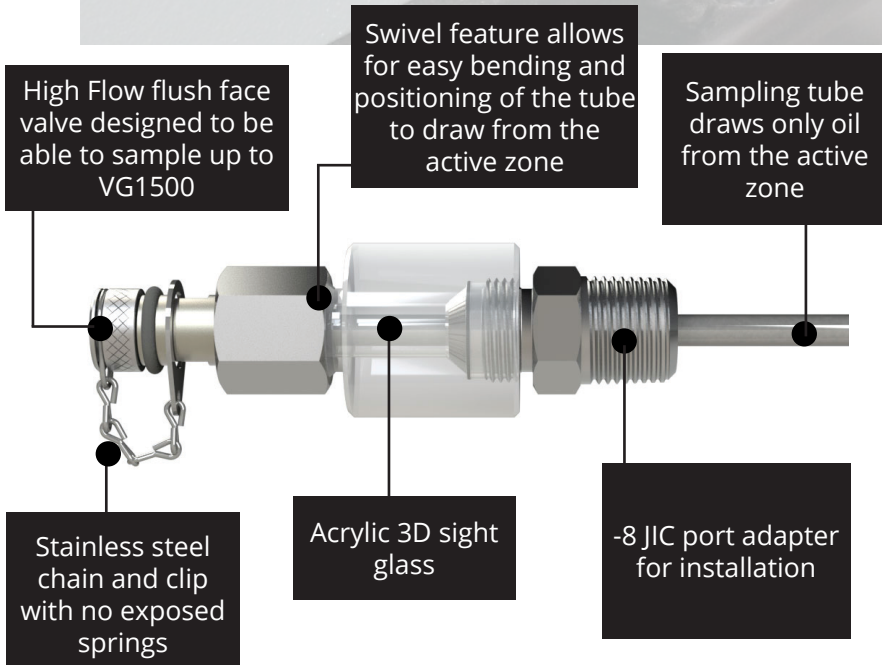


# The LTJ Sight

Be able to sample and visually check your oil for discoloration and level all from one port. The LTJ Sight is our LTJ sampling tube with a 3D sight glass included. The 3D sight glass makes it possible to complete quick preventative maintenance inspections for oil level and oil coloration.



## All the great benefits of the LTJ sampling tube plus:

- Detect oil levels more accurately and from any angle with the 3D sight glass
- Visually check for any oil discoloration
- **Sampling range 0 - 65 psi (0 - 0.45 MPa)**

## What you get with the LTJ Sight:

- Accurate oil detection
- Ability to view oil from multiple angles
- Ability to sample high viscosity oils
- Quicker samples
- Best representative samples

## Required for Sampling:

Part	Use	Reusable?
SLF4	Sampling probe for 1/4" OD tube	Yes
SLF5	Sampling probe for 5/16" OD tube	Yes
SER4-100	Plastic tubing (100 ft)	No
VAC	Vacuum pump	Yes

Part Number	Port Thread Size and Type	Valve Sealing	Valve Material	Tube Size	Tube Material	Swivel	Tube Length
L12NATRS12	3/4" NPT	Viton	Carbon Steel	1/4" OD	Stainless Steel	Yes	12"
L16NATRS12	1" NPT	Viton	Carbon Steel	1/4" OD	Stainless Steel	Yes	12"
L6GCATRS12	3/8" BSPP	Viton	Carbon Steel	1/4" OD	Stainless Steel	Yes	12"
L12GCATRS12	3/4" BSPP	Viton	Carbon Steel	1/4" OD	Stainless Steel	Yes	12"

**Note:** port adapter included, different tube lengths and port sizes also available  
Valve Material Options: Carbon Steel, 316 Stainless Steel

Gearboxes | Reservoirs

